

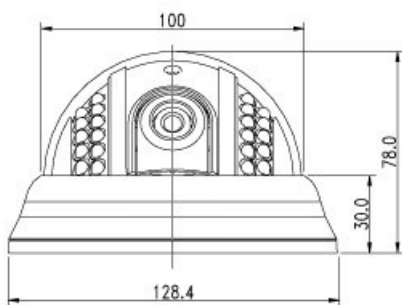
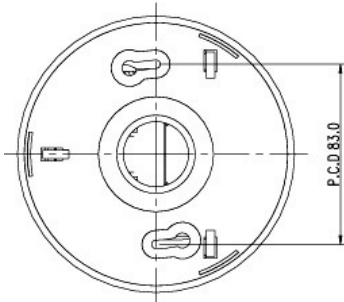


Features

- Resolution: 380 TV lines
- f=3.6mm
- Day / Night 0.1 / 0.0 Lux
- 22 IR LEDs / ~15m IR Range

Dimensions

Unit: mm



Specifications

MODEL	DF183	
PICK UP DEVICE	1/3" Sony CCD	
TOTAL PIXELS	PAL: 500 (H) x 582 (V)	NTSC: 510 (H) x 492 (V)
HORIZONTAL RESOLUTION	380 TVL	
LENS	3.6mm	
VIEW ANGLE (HORIZONTAL)	68°	
MIN. ILLUMINATION	0.1 Lux / F1.2 (IR OFF) 0.0 Lux (IR ON)	
IR LED / EFFECTIVE RANGE	22 infrared LEDs / ~15m	
BACK LIGHT COMPENSATION	Built-in	
ELECTRONIC SHUTTER	PAL: 1/50 ~ 1 / 100,000 sec	NTSC: 1/60 ~ 1 / 100,000 sec
ELECTRONIC SHUTTER CONTROL	Built-in	
S / N RATIO	More than 48dB (AGC OFF)	
WHITE BALANCE	Auto	
VIDEO OUTPUT CONNECTOR	1.0Vp-p (75W , composite)	
AUTO GAIN CONTROL	Yes	
NOISE REDUCTION	Auto	
POWER SOURCE	12V DC / 160 mA (IR OFF) 340 mA (IR ON)	
OPERATING TEMPERATURE	-20° ~ +50°	
NET WEIGHT (G)	850	
HUMIDITY	< 90%	
DIMENSION	129mm diameter x 78 (H) mm	

www.TeleEye.com

TeleEye Group

China Croatia Hong Kong Macau Mauritius
Philippines Singapore South Africa U.K. Sri Lanka

Design and specifications are subject to change without prior notice. Copyright © 2011 Signal Communications Limited. TeleEye is a trademark of Signal Communications Limited and is registered in China, European Community, Hong Kong, U.S. and other countries. All other trademarks are the property of their respective owners.

DISTRIBUTED BY:

Printed: 2011.03